

## Tee pieces for unequal tubes smaller centre Ø - RPT IT



### For tube OD (x2)(mm)

6

### For tube OD (mm)

4

### Operating pressure

0 to 10 bar

### Temperature

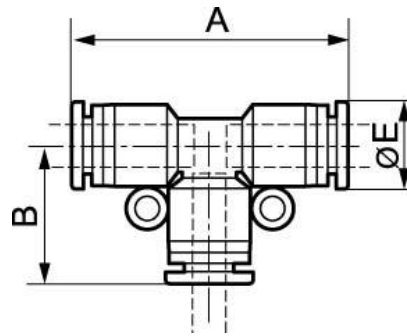
0°C to + 60°C

### Construction

Polymer and nickel-plated  
brass

## Description

Reference	For tube OD (x2)(mm)	For tube OD (mm)
RPT IT0604	6	4
RPT IT0806	8	6
RPT IT1008	10	8
RPT IT1210	12	10
RPT IT1612	16	12



### Dimensions

Reference	A mm	B mm	E mm
<b>RPT IT0604</b>	39	20	12.8
<b>RPT IT0806</b>	45	22.8	13.8
<b>RPT IT1008</b>	53.6	27	16.8
<b>RPT IT1210</b>	54.2	27.8	19.8
<b>RPT IT1612</b>	64	32	23.8