

Bulkhead union - RPU TT



Panel depth (mm)

13

Drill Ø (mm)

13

For tube OD (mm)

4

Operating pressure

0 to 10 bar

Temperature

0°C to + 60°C

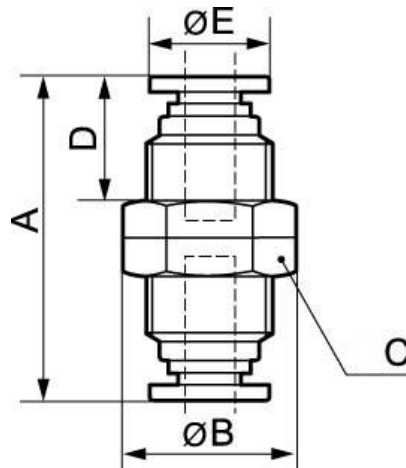
Construction

Polymer and nickel-plated
brass

Description

| Reference | Panel depth (mm) | Drill Ø (mm) | For tube OD (mm) |
|-------------------|------------------|--------------|------------------|
| RPU TT0404 | 13 | 13 | 4 |
| RPU TT0505 | 13 | 15 | 5 |
| RPU TT0606 | 13 | 15 | 6 |
| RPU TT0808 | 15 | 17 | 8 |
| RPU TT1010 | 15 | 21 | 10 |

| Reference | Panel depth (mm) | Drill Ø (mm) | For tube OD (mm) |
|-------------------|------------------|--------------|------------------|
| RPU TT1212 | 15 | 23 | 12 |
| RPU TT1616 | 20 | 26 | 16 |



Dimensions

| Reference | A mm | B mm | C mm | D mm | E mm |
|-------------------|------|------|------|------|------|
| RPU TT0404 | 34 | 16.5 | 14 | 13 | 10 |
| RPU TT0505 | 36 | 20 | 17 | 14 | 12.8 |
| RPU TT0606 | 36 | 20 | 17 | 14 | 12.8 |
| RPU TT0808 | 39.5 | 22 | 19 | 15.8 | 13.8 |
| RPU TT1010 | 40.6 | 28 | 24 | 16.5 | 16.8 |
| RPU TT1212 | 44.5 | 30.5 | 26 | 17.8 | 19.8 |
| RPU TT1616 | 52 | 32.5 | 28 | 18.3 | 23.8 |