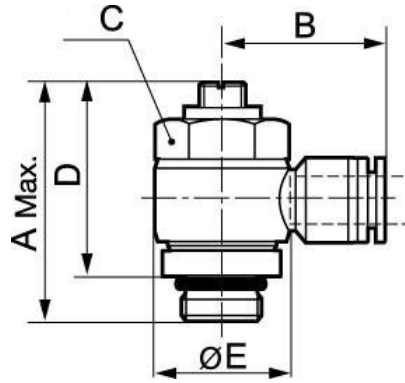


Parallel male regulator with adjusting screw - Bidirectional - RPV BG



<p><u>Metric male thread</u></p> <p>M5</p>	<p><u>For tube OD (mm)</u></p> <p>4</p>	<p><u>Operating pressure</u></p> <p>0 to 10 bar</p>	<p><u>Temperature</u></p> <p>0°C to + 60°C</p>
<p><u>Construction</u></p> <p>Polymer and nickel-plated brass</p>			

Description		
Reference	Metric male thread	For tube OD (mm)
RPV BG04M5	M5	4
RPV BG06M5	M5	6



Dimensions

Reference	A mm	B mm	C mm	D mm	E mm
RPV BG04M5	26	19.7	8	22	10
RPV BG06M5	26	22.5	8	22	10