

Tapered male regulator with adjusting screw - Bidirectional - RPV BR



BSPT male thread

R 1/8

For tube OD (mm)

4

Operating pressure

0 to 10 bar

Temperature

0°C to + 60°C

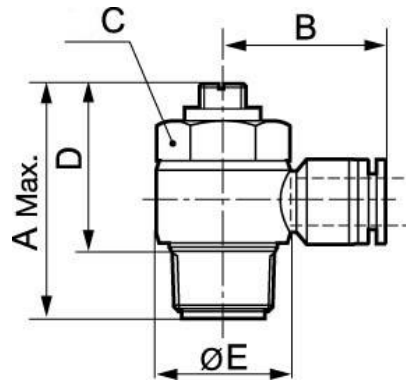
Construction

Polymer and nickel-plated
brass

Description

| Reference | BSPT male thread | For tube OD (mm) |
|-------------------|------------------|------------------|
| RPV BR0400 | R 1/8 | 4 |
| RPV BR0401 | R 1/4 | 4 |
| RPV BR0600 | R 1/8 | 6 |
| RPV BR0601 | R 1/4 | 6 |
| RPV BR0602 | R 3/8 | 6 |

| Reference | BSPT male thread | For tube OD (mm) |
|------------|------------------|------------------|
| RPV BR0603 | R 1/2 | 6 |
| RPV BR0800 | R 1/8 | 8 |
| RPV BR0801 | R 1/4 | 8 |
| RPV BR0802 | R 3/8 | 8 |
| RPV BR0803 | R 1/2 | 8 |
| RPV BR1000 | R 1/8 | 10 |
| RPV BR1001 | R 1/4 | 10 |
| RPV BR1002 | R 3/8 | 10 |
| RPV BR1003 | R 1/2 | 10 |
| RPV BR1201 | R 1/4 | 12 |
| RPV BR1202 | R 3/8 | 12 |
| RPV BR1203 | R 1/2 | 12 |



Dimensions

| Reference | A mm | B mm | D mm | E mm |
|-------------------|-------|-------|-------|-------|
| RPV BR0400 | 1.181 | | | |
| RPV BR0401 | 1.575 | 0.945 | 1.22 | |
| RPV BR0600 | 1.181 | 0.906 | | |
| RPV BR0601 | 1.575 | 1.22 | | |
| RPV BR0602 | 1.89 | 1.457 | 0.866 | |
| RPV BR0603 | | | | |
| RPV BR0800 | 1.181 | | | |
| RPV BR0801 | 1.575 | 1.22 | | |
| RPV BR0802 | 1.89 | 1.457 | 0.866 | |
| RPV BR0803 | | | | |
| RPV BR1000 | 1.181 | | | |
| RPV BR1001 | 1.575 | 1.22 | 1.22 | |
| RPV BR1002 | 1.89 | 1.22 | 1.457 | 0.866 |
| RPV BR1003 | 1.339 | | | |
| RPV BR1201 | 1.575 | 1.22 | | |
| RPV BR1202 | 1.89 | 1.339 | 1.457 | 0.866 |

| Reference | A mm | B mm | D mm | E mm |
|------------|------|------|------|------|
| RPV BR1203 | | | | |