

Tapered male regulator with adjusting screw - Cylinder exhaust - RPV OR



BSPT male thread

R 1/8

For tube OD (mm)

4

Operating pressure

0 to 10 bar

Temperature

0°C to + 60°C

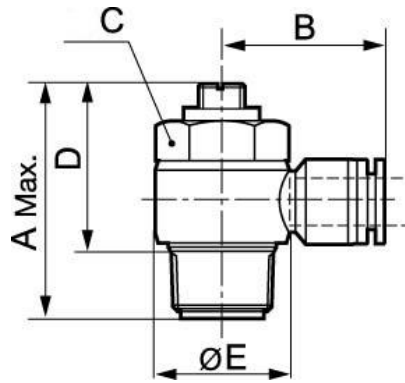
Construction

Polymer and nickel-plated
brass

Description

Reference	BSPT male thread	For tube OD (mm)
RPV OR0400	R 1/8	4
RPV OR0401	R 1/4	4
RPV OR0600	R 1/8	6
RPV OR0601	R 1/4	6
RPV OR0602	R 3/8	6
RPV OR0603	R 1/2	6

Reference	BSPT male thread	For tube OD (mm)
RPV OR0800	R 1/8	8
RPV OR0801	R 1/4	8
RPV OR0802	R 3/8	8
RPV OR0803	R 1/2	8
RPV OR1000	R 1/8	10
RPV OR1001	R 1/4	10
RPV OR1002	R 3/8	10
RPV OR1003	R 1/2	10
RPV OR1201	R 1/4	12
RPV OR1202	R 3/8	12
RPV OR1203	R 1/2	12



Dimensions

Reference	A mm	B mm	D mm	E mm
RPV OR0400	1.299			
RPV OR0401	1.614	0.945	1.26	
RPV OR0600	1.299	0.906		
RPV OR0601	1.614	1.26		
RPV OR0602	2.047	1.614	0.866	
RPV OR0603	2.244	1.732		
RPV OR0800	1.299			
RPV OR0801	1.614	1.26		
RPV OR0802	2.047	1.614	0.866	
RPV OR0803	2.244	1.732		
RPV OR1000	1.299			
RPV OR1001	1.614	1.22	1.26	
RPV OR1002	2.047	1.22	1.614	0.866
RPV OR1003	2.244	1.339	1.732	
RPV OR1201	1.614	1.26		
RPV OR1202	2.047	1.339	1.614	0.866

Reference	A mm	B mm	D mm	E mm
RPV OR1203	2.244	1.732		