

Parallel male 90° elbow - RPC MG



BSP male thread

G 1/8

For tube OD (mm)

4

Operating pressure

0 to 10 bar

Temperature

0°C to + 60°C

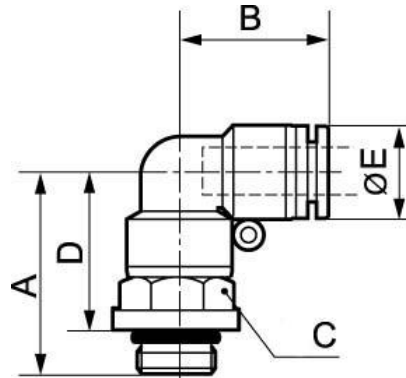
Construction

Polymer and nickel-plated
brass

Description

Reference	BSP male thread	For tube OD (mm)
RPC MG0400	G 1/8	4
RPC MG0401	G 1/4	4
RPC MG0500	G 1/8	5
RPC MG0501	G 1/4	5
RPC MG0502	G 3/8	5
RPC MG0503	G 1/2	5
RPC MG0600	G 1/8	6
RPC MG0601	G 1/4	6

Reference	BSPB male thread	For tube OD (mm)
RPC MG0602	G 3/8	6
RPC MG0603	G 1/2	6
RPC MG0800	G 1/8	8
RPC MG0801	G 1/4	8
RPC MG0802	G 3/8	8
RPC MG0803	G 1/2	8
RPC MG1000	G 1/8	10
RPC MG1001	G 1/4	10
RPC MG1002	G 3/8	10
RPC MG1003	G 1/2	10
RPC MG1201	G 1/4	12
RPC MG1202	G 3/8	12
RPC MG1203	G 1/2	12
RPC MG1402	G 3/8	14
RPC MG1403	G 1/2	14
RPC MG1602	G 3/8	16
RPC MG1603	G 1/2	16



Dimensions

Reference	A mm	B mm	C mm	D mm	E mm
RPC MG0400	24.1	17.5	12	18.6	10
RPC MG0401	24.7	17.5	14	18.7	10
RPC MG0500	27	20.5	12	21.5	12.8
RPC MG0501	27.5	20.5	14	21.5	12.8
RPC MG0502	29	20.5	17	22.5	12.8
RPC MG0503	30	20.5	21	22	12.8
RPC MG0600	27	20.5	12	21.5	12.8
RPC MG0601	27.5	20.5	14	21.5	12.8
RPC MG0602	29	20.5	17	22.5	12.8
RPC MG0603	30	20.5	21	22	12.8
RPC MG0800	29.2	22.5	14	23.7	13.8
RPC MG0801	29.2	22.5	14	23.2	13.8
RPC MG0802	30.7	22.5	17	24.2	13.8
RPC MG0803	31.7	22.5	21	23.7	13.8
RPC MG1000	33.7	26.3	17	28.2	16.8

Reference	A mm	B mm	C mm	D mm	E mm
RPC MG1001	34.2	26.3	17	28.2	16.8
RPC MG1002	34.2	26.3	17	27.7	16.8
RPC MG1003	35.2	26.3	21	27.2	16.8
RPC MG1201	35	27.8	19	29	19.8
RPC MG1202	34.5	27.8	19	28	19.8
RPC MG1203	36	27.8	21	28	19.8
RPC MG1402	38.2	29.8	22	31.7	22.7
RPC MG1403	37.2	29.8	24	29.2	22.7
RPC MG1602	41.5	30.8	24	34.9	23.8
RPC MG1603	39	30.8	24	31	23.8