

Parallel male straight adaptor - RPD MG



Metric male thread

M5

For tube OD (mm)

4

Operating pressure

0 to 10 bar

Temperature

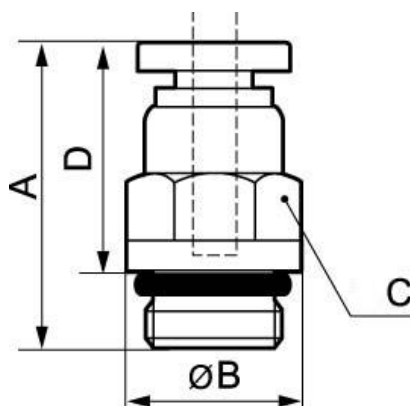
0°C to + 60°C

Construction

Polymer and nickel-plated
brass

Description

Reference	Metric male thread	For tube OD (mm)
RPD MG04M5	M5	4
RPD MG05M5	M5	5
RPD MG06M5	M5	6



Dimensions

Reference	A mm	B mm	C mm	D mm
RPD MG04M5	21.5	12	10	17.5
RPD MG05M5	24	14	12	20
RPD MG06M5	24	14	12	20