

## Tapered male 90° elbow - RPC MR



### BSPT male thread

R 1/8

### For tube OD (mm)

4

### Operating pressure

0 to 10 bar

### Temperature

0°C to + 60°C

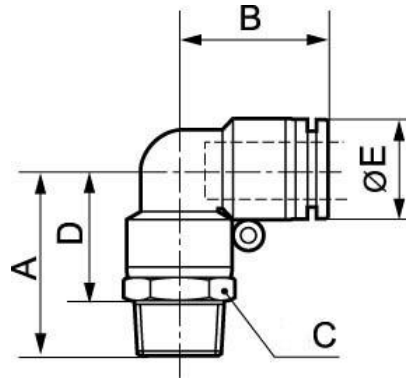
### Construction

Polymer and nickel-plated  
brass

## Description

Reference	BSPT male thread	For tube OD (mm)
<b>RPC MR0400</b>	R 1/8	4
<b>RPC MR0401</b>	R 1/4	4
<b>RPC MR0500</b>	R 1/8	5
<b>RPC MR0501</b>	R 1/4	5
<b>RPC MR0502</b>	R 3/8	5
<b>RPC MR0503</b>	R 1/2	5
<b>RPC MR0600</b>	R 1/8	6
<b>RPC MR0601</b>	R 1/4	6

Reference	BSPT male thread	For tube OD (mm)
RPC MR0602	R 3/8	6
RPC MR0603	R 1/2	6
RPC MR0800	R 1/8	8
RPC MR0801	R 1/4	8
RPC MR0802	R 3/8	8
RPC MR0803	R 1/2	8
RPC MR1000	R 1/8	10
RPC MR1001	R 1/4	10
RPC MR1002	R 3/8	10
RPC MR1003	R 1/2	10
RPC MR1201	R 1/4	12
RPC MR1202	R 3/8	12
RPC MR1203	R 1/2	12
RPC MR1402	R 3/8	14
RPC MR1403	R 1/2	14
RPC MR1602	R 3/8	16
RPC MR1603	R 1/2	16



### Dimensions

Reference	A mm	B mm	C mm	D mm	E mm
<b>RPC MR0400</b>	25	17.5	10	17.5	10
<b>RPC MR0401</b>	26.5	17.5	14	17.5	10
<b>RPC MR0500</b>	27.5	20.5	12	20	12.8
<b>RPC MR0501</b>	29	20.5	14	20	12.8
<b>RPC MR0502</b>	31.5	20.5	17	20.5	12.8
<b>RPC MR0503</b>	34	20.5	21	21	12.8
<b>RPC MR0600</b>	27.5	20.5	12	20	12.8
<b>RPC MR0601</b>	29	20.5	14	20	12.8
<b>RPC MR0602</b>	31.5	20.5	17	20.5	12.8
<b>RPC MR0603</b>	34	20.5	21	21	12.8
<b>RPC MR0800</b>	29.5	22.5	14	22	13.8
<b>RPC MR0801</b>	31	22.5	14	22	13.8
<b>RPC MR0802</b>	33.5	22.5	17	22.5	13.8
<b>RPC MR0803</b>	36	22.5	21	23	13.8
<b>RPC MR1000</b>	33.2	26.3	17	25.7	16.8

Reference	A mm	B mm	C mm	D mm	E mm
<b>RPC MR1001</b>	34.7	26.3	17	25.7	16.8
<b>RPC MR1002</b>	36.7	26.3	17	25.7	16.8
<b>RPC MR1003</b>	39.2	26.3	21	26.2	16.8
<b>RPC MR1201</b>	35.5	27.8	19	26.5	19.8
<b>RPC MR1202</b>	38	27.8	19	27	19.8
<b>RPC MR1203</b>	40	27.8	21	27	19.8
<b>RPC MR1402</b>	40	29.8	22	29	22.7
<b>RPC MR1403</b>	42	29.8	22	29	22.7
<b>RPC MR1602</b>	41.5	30.8	24	30.5	23.8
<b>RPC MR1603</b>	43.5	30.8	24	30.5	23.8