

Parallel male three-port manifold - RPN MG



BSP male thread

G 1/8

For tube OD (mm)

4

Operating pressure

0 to 10 bar

Temperature

0°C to + 60°C

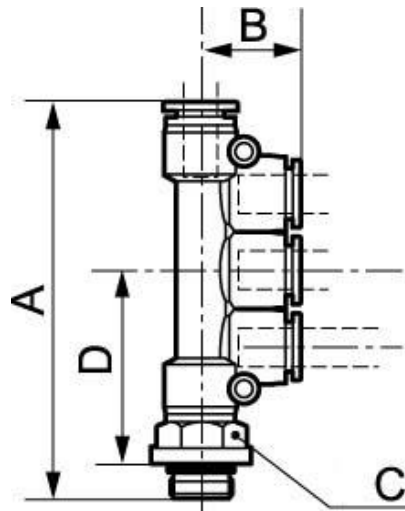
Construction

Polymer and nickel-plated
brass

Description

Reference	BSP male thread	For tube OD (mm)
RPN MG0400	G 1/8	4
RPN MG0401	G 1/4	4
RPN MG0500	G 1/8	5
RPN MG0501	G 1/4	5
RPN MG0502	G 3/8	5

Reference	BSPB male thread	For tube OD (mm)
RPN MG0503	G 1/2	5
RPN MG0600	G 1/8	6
RPN MG0601	G 1/4	6
RPN MG0602	G 3/8	6
RPN MG0603	G 1/2	6
RPN MG0800	G 1/8	8
RPN MG0801	G 1/4	8
RPN MG0802	G 3/8	8
RPN MG0803	G 1/2	8



Dimensions

Reference	A mm	B mm	C mm	D mm
RPN MG0400	66.7	19.5	12	31.5
RPN MG0401	67.2	19.5	14	33.5
RPN MG0500	66.7	19.5	14	31.5
RPN MG0501	67.2	19.5	14	31.5
RPN MG0502	68.7	19.5	17	31.5
RPN MG0503	69.7	19.5	21	31.5
RPN MG0600	66.7	19.5	14	31.5
RPN MG0601	67.2	19.5	14	31.5
RPN MG0602	68.7	19.5	17	31.5
RPN MG0603	69.7	19.5	21	31.5
RPN MG0800	67.2	24	17	42
RPN MG0801	67.2	24	17	42
RPN MG0802	68.7	24	17	42
RPN MG0803	69.7	24	21	42