

## Tapping Y piece for unequal tubes - RPY PT



For tube OD (x2) (mm)

4

Fitting ID (mm)

6

Operating pressure

0 to 10 bar

Temperature

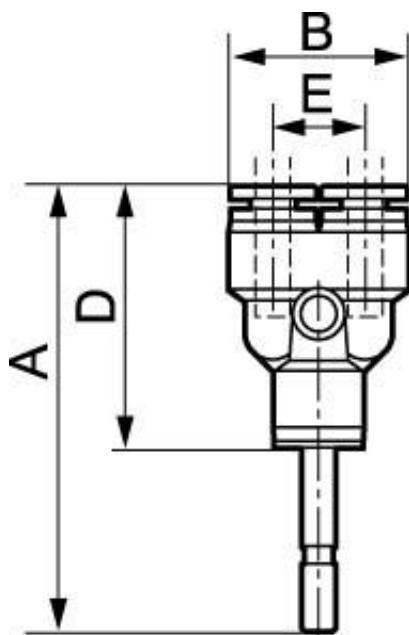
0°C to + 60°C

Construction

Polymer and nickel-plated  
brass

### Description

Reference	For tube OD (x2) (mm)	Fitting ID (mm)
RPY PT0604	4	6
RPY PT0806	6	8
RPY PT1008	8	10
RPY PT1210	10	12



### Dimensions

Reference	A mm	B mm	D mm	E mm
<b>RPY PT0604</b>	52.5	20	31	10.5
<b>RPY PT0806</b>	55	25.6	33.5	13
<b>RPY PT1008</b>	60	27.6	35	14.5
<b>RPY PT1210</b>	70.8	33.6	45.5	18