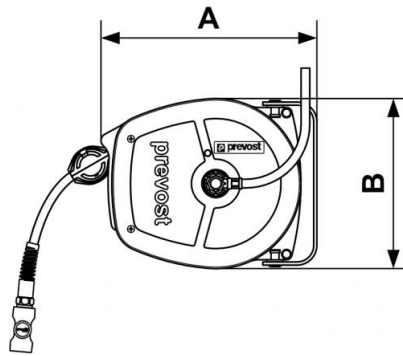


## DSF Series - Small - Polyurethane hose polyester base



Description						
Reference	ID/OD (mm)	Length (m)	Coupler	Flow rate (l/min)	Swivel inlet (mm)	Weight (kg)
<b>DSF 0805BS</b>	8 x 11	5	BSI 06	650	8 x 11	3
<b>DSF 1003BS</b>	10 x 14	3	BSI 06	750	10 x 14	3
<b>DSF 0805ES</b>	8 x 11	5	ESI 07	650	8 x 11	3
<b>DSF 1003ES</b>	10 x 14	3	ESI 07	1100	10 x 14	3
<b>DSF 0805IS</b>	8 x 11	5	ISI 06	650	8 x 11	3
<b>DSF 1003IS</b>	10 x 14	3	ISI 06	833	10 x 14	3
<b>DSF 0805CS</b>	8 x 11	5	CSI 06	650	8 x 11	3

Reference	ID/OD (mm)	Length (m)	Coupler	Flow rate (l/min)	Swivel inlet (mm)	Weight (kg)
<b>DSF 1003CS</b>	10 x 14	3	CSI 06	833	10 x 14	3



## Dimensions

Reference	A mm	B mm
<b>DSF 0805BS</b>	275	218
<b>DSF 1003BS</b>	275	218
<b>DSF 0805ES</b>	275	218
<b>DSF 1003ES</b>	275	218
<b>DSF 0805IS</b>	275	218
<b>DSF 1003IS</b>	275	218
<b>DSF 0805CS</b>	275	218
<b>DSF 1003CS</b>	275	218