

Parallel male thread coupler 90°



ID Passage (mm)

6

BSPP male thread

G 1/4

Max operating pressure

16 bar

Temperature

+15°C to +200°C

Construction

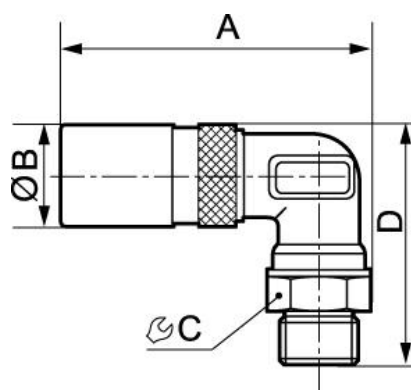
Brass body

Applications

Cooling circuits, cleaning, rinsing, food processing industry

Description

Reference	ID Passage (mm)	BSPP male thread
PREOL 061151RE	6	G 1/4
PREOL 091152RE	9	G 3/8
PREOL 121153RE	12	G 1/2



Dimensions

Reference	A mm	B mm	C mm	D mm
PREOL 061151RE	57	19	17	44
PREOL 091152RE	64.5	25	21	52
PREOL 121153RE	80	31	24	61