

## Hose tail coupler 90°



ID Passage (mm)

6

For hose ID (mm)

8

Max operating pressure

16 bar

Temperature

+15°C to +200°C

Construction

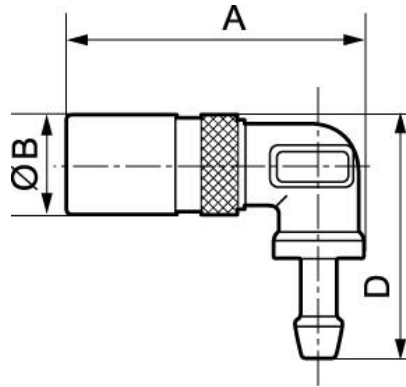
Brass body

Applications

Cooling circuits, cleaning, rinsing, food processing industry

### Description

Reference	ID Passage (mm)	For hose ID (mm)
<b>PREOL 061808RE</b>	6	8
<b>PREOL 091810RE</b>	9	10
<b>PREOL 091812RE</b>	9	12



### Dimensions

Reference	A mm	B mm	D mm
<b>PREOL 061808RE</b>	57	19	48.5
<b>PREOL 091810RE</b>	64.5	25	57.5
<b>PREOL 091812RE</b>	65.5	25	65