

Male thread adaptor (free passage)



ID Passage (mm)

6

Male thread

R 1/8

Max operating pressure

16 bar

Temperature

+15°C to +200°C

Construction

Ø 6 - 9 - 12 mm : Brass, Ø
16 mm : Stainless steel and
chromium

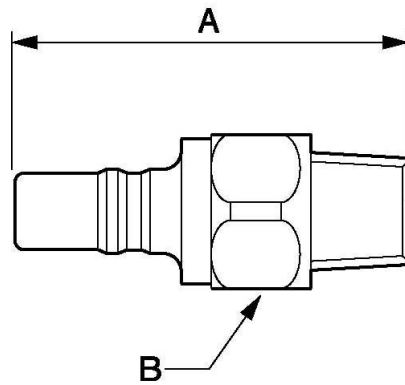
Applications

Cooling circuits, cleaning,
rinsing, food processing
industry

Description

Reference	ID Passage (mm)	Male thread
PREOL 066160	6	R 1/8
PREOL 066161	6	R 1/4
PREOL 096161	9	R 1/4
PREOL 096162	9	R 3/8

Reference	ID Passage (mm)	Male thread
PREOL 096153	9	G 1/2
PREOL 126162	12	R 3/8
PREOL 126163	12	R 1/2
PREOL 126154	12	G 3/4
PREOL 166164	16	R 3/4



Dimensions

Reference	A mm	B mm
PREOL 066160	45	17
PREOL 066161	35	14
PREOL 096161	51	19
PREOL 096162	36	17
PREOL 096153	37	22
PREOL 126162	63	24
PREOL 126163	44	22
PREOL 126154	46	27
PREOL 166164	81	32