

Complete portable kit for 12/20 kg grease drums



Includes

- pump for 12/20 kg drum -
tube length: 410 mm - cover
+ sealing diaphragm -
distribution gun - 4 m rubber
hose - carrying handle

Technology

Piston dual action

Operating pressure

3 to 7 bar

Outlet pressure

406 bar (air pressure at 7
bar)

Flow rate

900 g/min (for air pressure 6
bar)

BSPP female thread

Air inlet : G 1/4

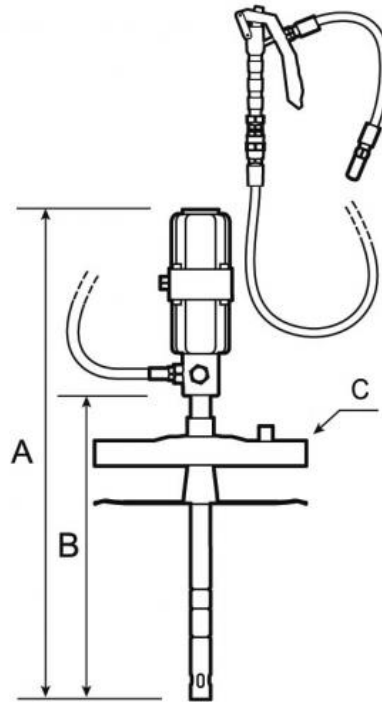
Pressure ratio

58:1

BSPP male thread

Grease outlet : G 1/4

Description	
Reference	Includes
EPG KR20	- pump for 12/20 kg drum - tube length: 410 mm - cover + sealing diaphragm - distribution gun - 4 m rubber hose - carrying handle
EPG KRF20	Complete portable kit for 12/20 kg grease drums with FRL
EPG KRFC20	Complete portable kit for 12/20 kg grease drums with FRL and transport cart



Dimensions

Reference	A mm	B mm	C mm
EPG KR20	680	410	280
EPG KRF20	680	410	280
EPG KRFC20	680	410	280