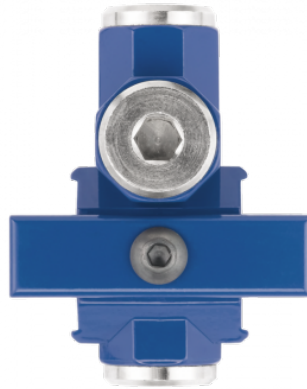


## ALTO 3 - Outlet Diverter Block



**BSSP female thread**

G 1/2

**Air outlet**

4 non-lubricated outlets

**Temperature**

+5°C to +50 °C

**Construction**

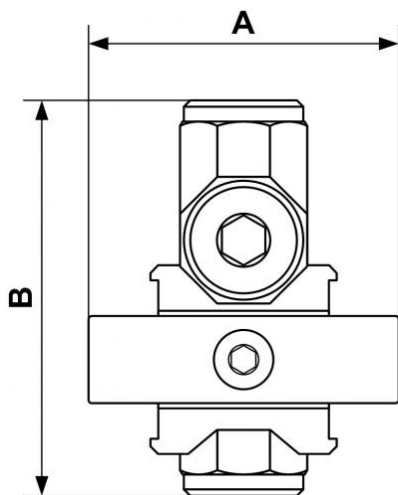
Body : Aluminium  
Polycarbonate bowl with  
metallic protection

**Equipped with**

Manual drain

### Description

| Reference   | BSSP female thread | Air outlet               |
|-------------|--------------------|--------------------------|
| <b>TE 3</b> | G 1/2              | 4 non-lubricated outlets |



**Dimensions**

| Reference   | A mm | B mm |
|-------------|------|------|
| <b>TE 3</b> | 73   | 93   |