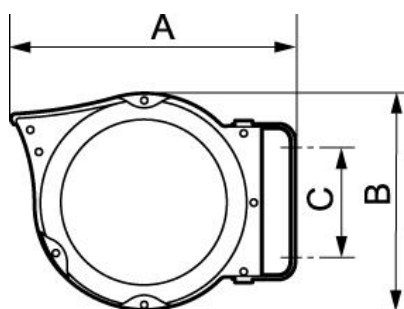


Electrical cable reel



<p>Power (kW)</p> <p>1.2 KW coiled 1.8 KW uncoiled</p>	<p>Length</p> <p>14 m (+ 1 m outside)</p>	<p>Section</p> <p>3 G x 1.5 mm²</p>	<p>Construction (cable reel)</p> <p>PVC H05V V-F</p>
<p>Weight (kg)</p> <p>5</p>	<p>Temperature</p> <p>-5° to + 40°C</p>	<p>Construction</p> <p>Insulated polypropylene</p>	<p>Equipped with</p> <p>Swivel bracket</p>

Description					
Reference	Power (kW)	Length	Section	Construction (cable reel)	Weight (kg)
DEL 31514	1.2 KW coiled 1.8 KW uncoiled	14 m (+ 1 m outside)	3 G x 1.5 mm ²	PVC H05V V-F	5
DEL 32520	2 KW coiled 3 KW uncoiled	17 m (+ 2 m outside)	3 G x 2.5 mm ²	Rubber H07 RN-F	8.8



Dimensions

Reference	A mm	B mm	C mm
DEL 31514	375	290	130
DEL 32520	490	380	160