

ALTO 1 - Outlet Diverter block



BSPF female thread

G 1/4

Air outlet

4 non-lubricated outlets

Temperature

+5°C to +50 °C

Construction

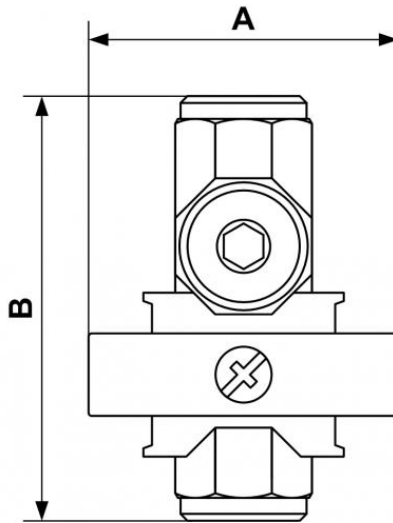
Body : Aluminium
Polycarbonate bowl with
metallic protection

Equipped with

Manual drain

Description

Reference	BSPF female thread	Air outlet
TE 1	G 1/4	4 non-lubricated outlets



Dimensions

Reference	A mm	B mm
TE 1	43	55