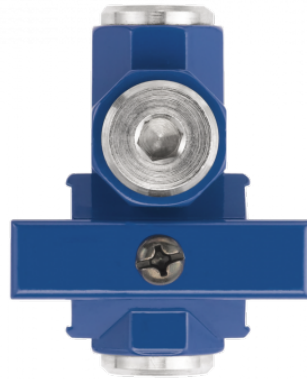


## ALTO 2 - Outlet Diverter block



**BSSP female thread**

G 3/8

**Air outlet**

4 non-lubricated outlets

**Temperature**

+5°C to +50 °C

**Construction**

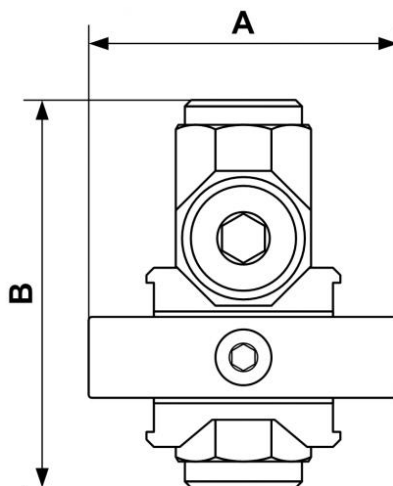
Body : Aluminium  
Polycarbonate bowl with  
metallic protection

**Equipped with**

Manual drain

### Description

Reference	BSSP female thread	Air outlet
<b>TE 2</b>	G 3/8	4 non-lubricated outlets



**Dimensions**

Reference	A mm	B mm
<b>TE 2</b>	66	76