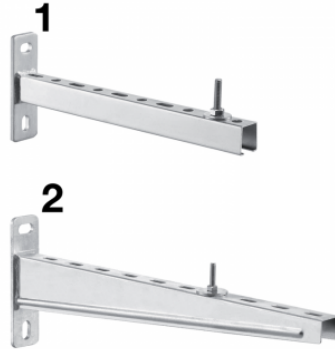
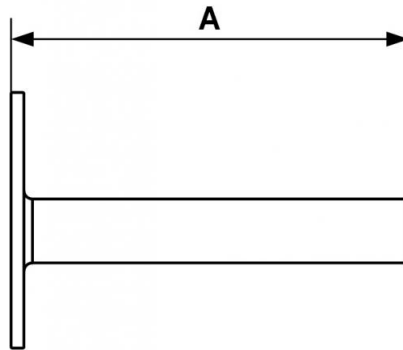


Metal support bracket



Description		
Reference	Length (mm)	Max load distributed over the entire length (kg)
CS 180L	(1) 180	133
CS 310L	(1) 300	80
CS 420L	(1) 420	56.4
CS 500	(2) 510	75



Dimensions

Reference	A mm
CS 180L	7.087
CS 310L	300
CS 420L	16.535
CS 500	510