

Female thread adaptor



BSPP female thread

G 1/4

ID Passage

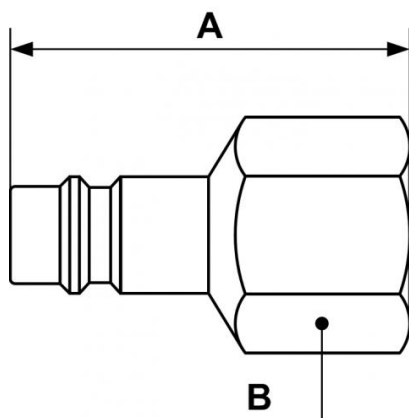
7,4 mm

Construction

Treated steel Corrosion-proof treatment

Description

Reference	BSPP female thread
ERP 076101	G 1/4
ERP 076102	G 3/8
ERP 076103	G 1/2



Dimensions

Reference	A mm	B mm
ERP 076101	40	15
ERP 076102	41	21
ERP 076103	44	27