

## 90° equal elbow - RMC ET



For tube OD (mm)

4

Operating pressure

0 to 15 bar

Temperature

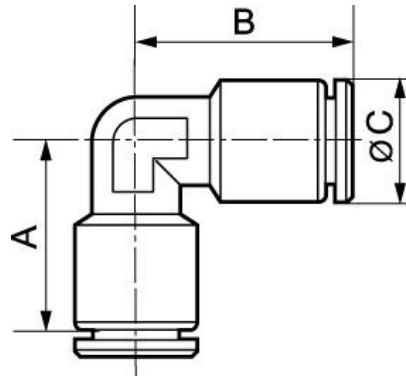
-20°C to +80°C

Construction

Nickel-plated brass

### Description

Reference	For tube OD (mm)
RMC ET0404	4
RMC ET0606	6
RMC ET0808	8
RMC ET1010	10
RMC ET1212	12
RMC ET1414	14



### Dimensions

Reference	A mm	B mm	C mm
<b>RMC ET0404</b>	21	21	9.8
<b>RMC ET0606</b>	22	22	11.6
<b>RMC ET0808</b>	26	26	13.5
<b>RMC ET1010</b>	30	30	15.6
<b>RMC ET1212</b>	34.5	34.5	17.8
<b>RMC ET1414</b>	37	37	19.8