

## Swivel parallel male centre tee piece - RMT CG



**BSPB male thread**

G 1/8

**For tube OD (mm)**

4

**Operating pressure**

0 to 15 bar

**Temperature**

-20°C to +80°C

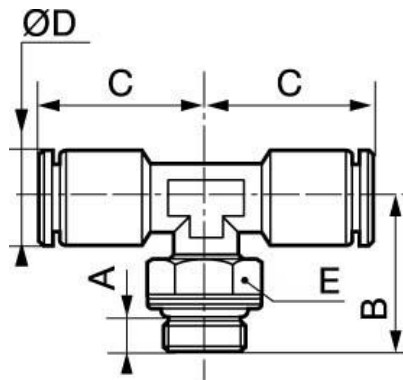
**Construction**

Nickel-plated brass

### Description

Reference	BSPB male thread	For tube OD (mm)
<b>RMT CG0400</b>	G 1/8	4
<b>RMT CG0401</b>	G 1/4	4
<b>RMT CG0600</b>	G 1/8	6
<b>RMT CG0601</b>	G 1/4	6
<b>RMT CG0800</b>	G 1/8	8
<b>RMT CG0801</b>	G 1/4	8
<b>RMT CG0802</b>	G 3/8	8

Reference	BSPB male thread	For tube OD (mm)
RMT CG1001	G 1/4	10
RMT CG1002	G 3/8	10
RMT CG1202	G 3/8	12
RMT CG1203	G 1/2	12
RMT CG1403	G 1/2	14



### Dimensions

Reference	A mm	B mm	C mm	D mm	E mm
RMT CG0400	6	20.5	21	9.8	13
RMT CG0401	8	23	21	9.8	16
RMT CG0600	6	20.5	24	11.6	13
RMT CG0601	8	24	26	11.6	16
RMT CG0800	6	22	26	13.5	13
RMT CG0801	8	24	26	13.5	16
RMT CG0802	9	30	27.5	13.5	19
RMT CG1001	8	26.5	30.5	15.6	16
RMT CG1002	9	29.5	30.5	15.6	19
RMT CG1202	9	31.5	34	19	19
RMT CG1203	11	32	33	17.8	22
RMT CG1403	11	34.5	37	19.8	22