

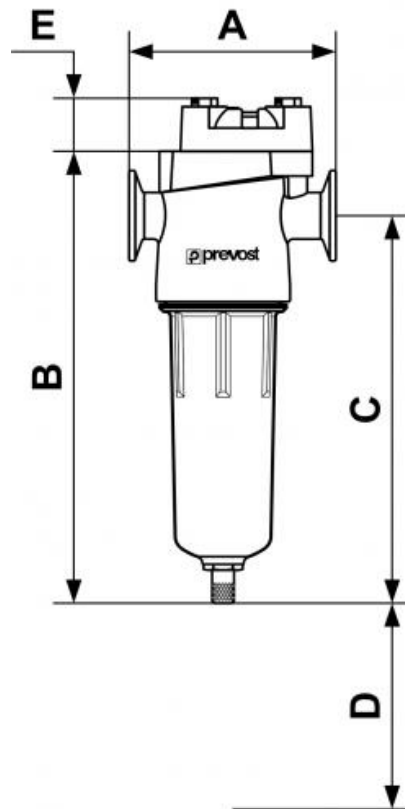
MFM basic filtration - Filtration threshold: 1 µm



<p><u>Female thread (BSPP)</u> G 1/4</p>	<p><u>Flow rate (in m³/h at 7 bar)</u> 34</p>	<p><u>Replacement filter cartridge</u> MFMC 101</p>	<p><u>Max operating pressure</u> 16 bar 16 bar, 11 bar for G 1 1/2 to G3</p>
<p><u>Temperature</u> +1°C to +66°C</p>	<p><u>Construction</u> Aluminium body and bowl</p>	<p><u>Filtration</u> 1 µm</p>	<p><u>Equipped with</u> Automatic float drain</p>

Description			
Reference	Female thread (BSPP)	Flow rate (in m³/h at 7 bar)	Replacement filter cartridge
MFM 101	G 1/4	34	MFMC 101

Reference	Female thread (BSPP)	Flow rate (in m ³ /h at 7 bar)	Replacement filter cartridge
MFM 102	G 3/8	59	MFMC 102
MFM 103	G 1/2	85	MFMC 103
MFM 104	G 3/4	127	MFMC 104
MFM 105	G 3/4	175	MFMC 105
MFM 106	G 1	267	MFMC 106
MFM 107	G 1 1/2	437	MFMC 107
MFM 108	G 1 1/2	612	MFMC 108
MFM 109	G 2	681	MFMC 109
MFM 110	G 2 1/2	993	MFMC 110
MFM 111	G 2 1/2	1317	MFMC 111
MFM 112	G 2 1/2	1750	MFMC 112
MFM 113	G 3	2039	MFMC 113
MFM 114	G 3	2549	MFMC 114



Dimensions

Reference	A mm	B mm	C mm	D mm	E mm
MFM 101	113.6	205.5	171.4	76	30
MFM 102	113.6	205.5	171.4	76	30
MFM 103	113.6	252	216.4	76	30
MFM 104	132	262.1	219.8	76	30
MFM 105	132	262.1	219.8	76	30
MFM 106	132	326.1	238.8	76	60
MFM 107	200	336.7	276.1	76	60
MFM 108	200	433.7	373.1	76	60
MFM 109	200	566	505.4	76	60

Reference	A mm	B mm	C mm	D mm	E mm
MFM 110	230.8	634.4	550	76	60
MFM 111	230.8	634.4	550	76	60
MFM 112	230.8	634.4	550	76	60
MFM 113	230.8	817.1	732.7	76	60
MFM 114	230.8	1085.1	1000.7	76	60