

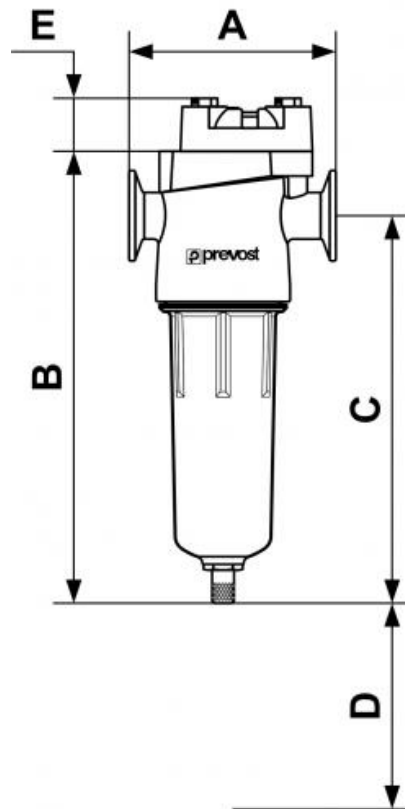
## MFB Sub-micronic filter - Coalescing filter 0.01 µm



<p><b><u>Female thread (BSPP)</u></b> G 1/4</p>	<p><b><u>Flow rate (in m³/h at 7 bar)</u></b> 34</p>	<p><b><u>Replacement filter cartridge</u></b> MFBC 201</p>	<p><b><u>Max operating pressure</u></b> 16 bar 16 bar, 11 bar for G 1 1/2 to G3</p>
<p><b><u>Temperature</u></b> +1°C to +66°C</p>	<p><b><u>Construction</u></b> Aluminium body and bowl</p>	<p><b><u>Filtration</u></b> 0,01 µm</p>	<p><b><u>Equipped with</u></b> Automatic float drain</p>

Description			
Reference	Female thread (BSPP)	Flow rate (in m³/h at 7 bar)	Replacement filter cartridge
<b>MFB 201</b>	G 1/4	34	MFBC 201

Reference	Female thread (BSPP)	Flow rate (in m <sup>3</sup> /h at 7 bar)	Replacement filter cartridge
<b>MFB 202</b>	G 3/8	59	MFBC 202
<b>MFB 203</b>	G 1/2	85	MFBC 203
<b>MFB 204</b>	G 3/4	127	MFBC 204
<b>MFB 205</b>	G 3/4	175	MFBC 205
<b>MFB 206</b>	G 1	267	MFBC 206
<b>MFB 207</b>	G 1 1/2	437	MFBC 207
<b>MFB 208</b>	G 1 1/2	612	MFBC 208
<b>MFB 209</b>	G 2	681	MFBC 209
<b>MFB 210</b>	G 2 1/2	993	MFBC 210
<b>MFB 211</b>	G 2 1/2	1317	MFBC 211
<b>MFB 212</b>	G 2 1/2	1750	MFBC 212
<b>MFB 213</b>	G 3	2039	MFBC 213
<b>MFB 214</b>	G 3	2549	MFBC 214



### Dimensions

Reference	A mm	B mm	C mm	D mm	E mm
<b>MFB 201</b>	113.6	205.5	171.4	76	30
<b>MFB 202</b>	113.6	205.5	171.4	76	30
<b>MFB 203</b>	113.6	252	216.4	76	30
<b>MFB 204</b>	132	262.1	219.8	76	30
<b>MFB 205</b>	132	262.1	219.8	76	30
<b>MFB 206</b>	132	326.1	238.8	76	60
<b>MFB 207</b>	200	336.7	276.1	76	60
<b>MFB 208</b>	200	433.7	373.1	76	60
<b>MFB 209</b>	200	566	505.4	76	60

Reference	A mm	B mm	C mm	D mm	E mm
<b>MFB 210</b>	230.8	634.4	550	76	60
<b>MFB 211</b>	230.8	634.4	550	76	60
<b>MFB 212</b>	230.8	634.4	550	76	60
<b>MFB 213</b>	230.8	817.1	732.7	76	60
<b>MFB 214</b>	230.8	1085.1	1000.7	76	60