

MFS Sub-micronic filter - Coalescing filter 0.01 µm



Female thread (BSPP)

G 1/2

Flow rate (in m³/h at 7 bar)

55

Max operating pressure

20 bar

Temperature

+3°C to +80°C

Construction

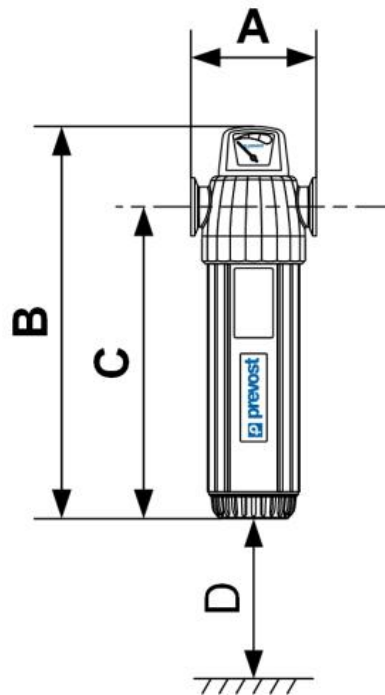
Aluminium

Filtration

0,01 µm

Description

Reference	Female thread (BSPP)	Flow rate (in m ³ /h at 7 bar)
MFS 55	G 1/2	55
MFS 70	G 1/2	70
MFS 100	G 1/2	100
MFS 150	G 3/4	150
MFS 225	G 1	225
MFS 300	G 1 1/2	300
MFS 400	G 1 1/2	400
MFS 500	G 2	500
MFS 800	G 2	800
MFS 1550	G 2 1/2	1550



Dimensions

Reference	A mm	B mm	C mm	D mm	E mm
MFS 55	90	37	252	230	19
MFS 70	128	45	273	250	32
MFS 100	128	45	303	279	32
MFS 150	140	45	370	335	31
MFS 225	140	45	398	365	31
MFS 300	140	45	474	432	31
MFS 400	140	45	564	522	31
MFS 500	151	45	511	465	25
MFS 800	151	45	696	650	25
MFS 1550	240	45	707	660	25