

MFM basic filtration - Filtration threshold: 1 µm



Female thread (BSPP)

G1/2

Flow rate (in m³/h at 7 bar)

55

Max operating pressure

20 bar

Temperature

+3°C to +80°C

Construction

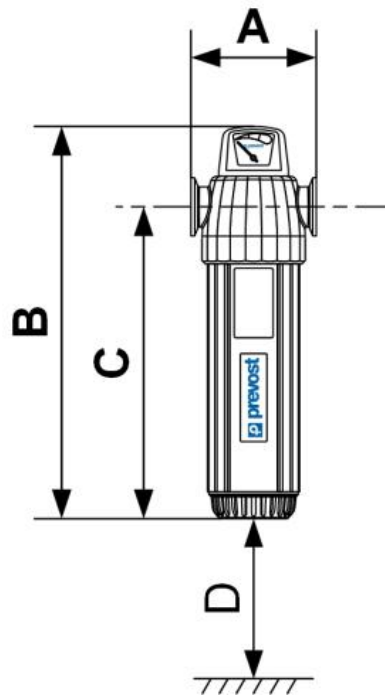
Aluminium

Filtration

1 µm

Description

Reference	Female thread (BSPP)	Flow rate (in m ³ /h at 7 bar)
MFM 55	G1/2	55
MFM 70	G1/2	70
MFM 100	G1/2	100
MFM 105	G3/4	150
MFM 225	G 1	225
MFM 300	G 1 1/2	300
MFM 400	G 1 1/2	400
MFM 500	G 2	500
MFM 800	G 2	800
MFM 1550	G 2 1/2	1500



Dimensions

Reference	A mm	B mm	C mm	D mm	E mm
MFM 55	90	37	252	230	19
MFM 70	128	45	273	250	32
MFM 100	128	45	303	279	32
MFM 105	140	45	370	335	31
MFM 225	140	45	398	365	31
MFM 300	140	45	474	432	31
MFM 400	140	45	534	522	31
MFM 500	151	45	511	465	25
MFM 800	151	45	696	650	25
MFM 1550	240	45	707	660	25