

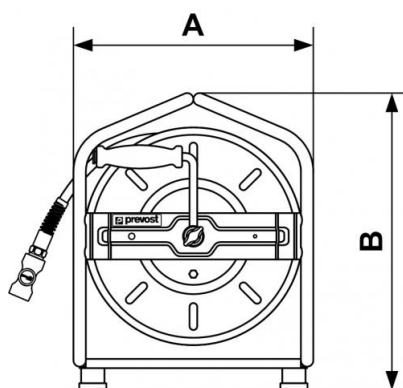
DMP series - Polyurethane hose



ID/OD (mm) 8 x 12	Length (m) 30	Coupler ESI 07	Adaptor ERP 07
Flow rate (l/min) 400	Weight (kg) 8.4	Max operating pressure 12 bar	Temperature -4°C to +70°C
Construction Epoxy-coated steel case	Connection 2 m of input pipe		

Description						
Reference	ID/OD (mm)	Length (m)	Coupler	Adaptor	Flow rate (l/min)	Weight (kg)
DMP 0830ES	8 x 12	30	ESI 07	ERP 07	400	8.4
DMP 1025ES	10 x 14	25	ESI 07	ERP 07	600	8.4

Reference	ID/OD (mm)	Length (m)	Coupler	Adaptor	Flow rate (l/min)	Weight (kg)
DMP 0830IS	8 x 12	30	ISI 06	IRP 06	400	8.4
DMP 1025IS	10 x 14	25	ISI 06	IRP 06	600	8.4



Dimensions

Reference	A mm	B mm
DMP 0830ES	310	385
DMP 1025ES	310	385
DMP 0830IS	310	385
DMP 1025IS	310	385