

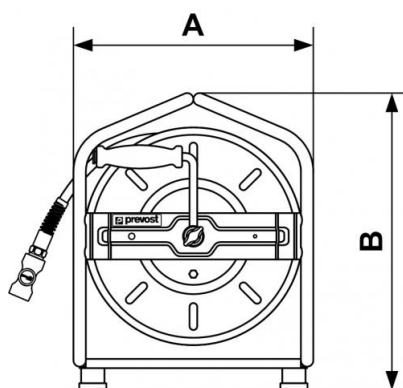
DMP series - Polyurethane hose



<u>ID/OD (mm)</u> 8 x 12	<u>Length (m)</u> 30	<u>Coupler</u> ISI 06	<u>Adaptor</u> IRP 06
<u>Flow rate (l/min)</u> 400	<u>Weight (kg)</u> 8.4	<u>Max operating pressure</u> 12 bar	<u>Temperature</u> -4°C to +70°C
<u>Construction</u> Epoxy-coated steel case	<u>Connection</u> 2 m of input pipe		

Description						
Reference	ID/OD (mm)	Length (m)	Coupler	Adaptor	Flow rate (l/min)	Weight (kg)
DMP 0830ES	8 x 12	30	ESI 07	ERP 07	400	8.4
DMP 1025ES	10 x 14	25	ESI 07	ERP 07	600	8.4

Reference	ID/OD (mm)	Length (m)	Coupler	Adaptor	Flow rate (l/min)	Weight (kg)
DMP 0830IS	8 x 12	30	ISI 06	IRP 06	400	8.4
DMP 1025IS	10 x 14	25	ISI 06	IRP 06	600	8.4



Dimensions

Reference	A mm	B mm
DMP 0830ES	310	385
DMP 1025ES	310	385
DMP 0830IS	310	385
DMP 1025IS	310	385