

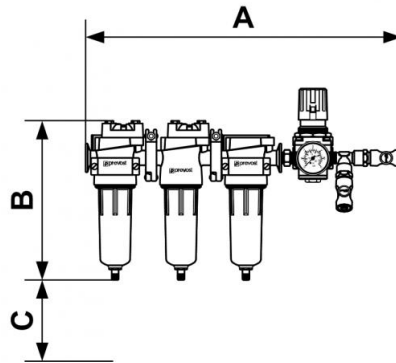
## Combination Sub-micronic filters for paint spray guns



<p><b><u>Inlet BSPP female thread</u></b></p> <p>G 1/2</p>	<p><b><u>Outlet 2 couplings</u></b></p> <p>ESI 07</p>	<p><b><u>Flow rate (in m<sup>3</sup>/h at 7 bar)</u></b></p> <p>85</p>	<p><b><u>Operating pressure</u></b></p> <p>2 to 12 bar</p>
<p><b><u>Temperature</u></b></p> <p>+1°C to +66°C</p>	<p><b><u>Construction</u></b></p> <p>Aluminium body and bowl</p>	<p><b><u>Equipped with</u></b></p> <p>Quick release safety couplings and adaptors prevoS1</p>	

Description			
Reference	Inlet BSPP female thread	Outlet 2 couplings	Flow rate (in m <sup>3</sup> /h at 7 bar)
<b>MBCR 38BS</b>	G 3/8	BSI 06	59
<b>MBCR 38ES</b>	G 3/8	ESI 07	59
<b>MBCR 38IS</b>	G 3/8	ISI 06	50
<b>MBCR 38CS</b>	G 3/8	CSI 06	50
<b>MBCR 12BS</b>	G 1/2	BSI 06	45
<b>MBCR 12ES</b>	G 1/2	ESI 07	85

Reference	Inlet BSPP female thread	Outlet 2 couplings	Flow rate (in m <sup>3</sup> /h at 7 bar)
<b>MBCR 12IS</b>	G 1/2	ISI 06	50
<b>MBCR 12CS</b>	G 1/2	CSI 06	50



### Dimensions

Reference	A mm	B mm	C mm
<b>MBCR 38BS</b>	570	280	76
<b>MBCR 38ES</b>	570	280	76
<b>MBCR 38IS</b>	570	280	76
<b>MBCR 38CS</b>	570	280	76
<b>MBCR 12BS</b>	570	280	76
<b>MBCR 12ES</b>	570	280	76
<b>MBCR 12IS</b>	570	280	76
<b>MBCR 12CS</b>	570	280	76