

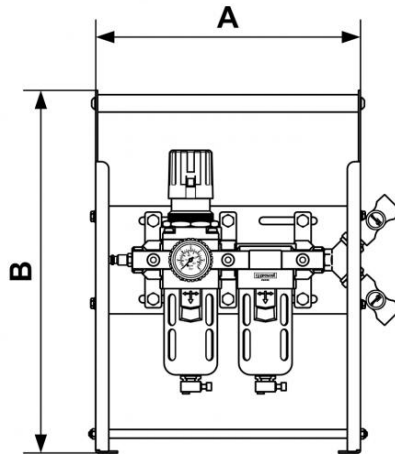
Microfilter assembly ALTO 3 with regulator (gauge included) on gantry



<p><u>Profile</u> British profile</p>	<p><u>Inlet 1 adaptor</u> BRP 06</p>	<p><u>Filtration (µm)</u> 5 and 0.01</p>	<p><u>Outlet 2 couplings</u> 2 x BSI 06</p>
<p><u>Flow rate (l/min at 6 bar Δp)</u> 0,6bar) = 3000</p>	<p><u>Temperature</u> +5°C to +50 °C</p>	<p><u>Construction</u> Body : Aluminium Polycarbonate bowl with metallic protection</p>	<p><u>Highlight</u> Easy to transport</p>
<p><u>Equipped with</u> Coupler and adaptor</p>			

Description						
Reference	Profile	Inlet 1 adaptor	Filtration (µm)	Outlet 2 couplings	Flow rate (l/min at 6 bar Δp)	Flow rate (l/min at 6 bar ?p)

PTC BS	British profile	BRP 06	5 and 0.01	2 x BSI 06	0,6bar) = 3000	0,6bar) = 833
PTC ES	European 7.4 mm	ERP 07	5 and 0.01	ESI 07	0,6bar) = 1820	0,6bar) = 833
PTC IS	ISO 6150 B	IRP 06	5 and 0.01	ISI 06	0,6bar) = 1500	0,6bar) = 2120
PTC IS8	ISO 6150 B	IRP 08	5 and 0.01	ISI 08	0,6bar) = 800	
PTC CM6	ISO 6150 C	CRP 06	5 and 0.01	CSM 06		
PTC CM8	ISO 6150 C	CRP 08	5 and 0.01	CSM 08		
PTC AS	ARO profile	ARP 06	5 and 0.01	ASI 06		



Dimensions

Reference	A mm	B mm
PTC BS	303	417
PTC ES	303	417
PTC IS	11.929	16.417
PTC IS8	303	417
PTC CM6	303	417
PTC CM8	303	417
PTC AS	303	417