

## Filter-Regulator-Lubricator ALTO 3 and wall bracket for non-lubricated outlet on gantry



### Profile

British profile 6 mm

### Inlet 1 adaptor

BRP 06

### Filtration (µm)

25

### Outlet 3 couplings

2 x BSI 06 1 x BSI 06 (non lubricated outlet)

### Flow rate (l/min at 6 bar ΔP)

0,6bar) = 750

### Temperature

+5°C to +50 °C

### Construction

Body : Aluminium  
Polycarbonate bowl with metallic protection

### Highlight

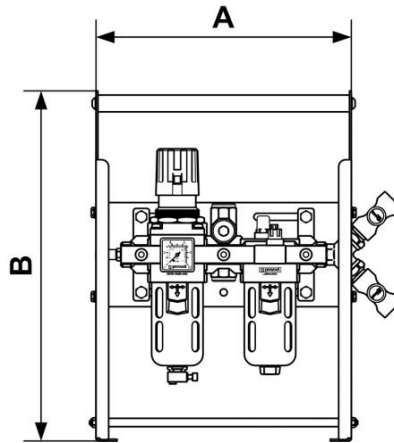
Easy to transport

### Equipped with

Coupler and adaptor

## Description

Reference	Profile	Inlet 1 adaptor	Filtration (µm)	Outlet 3 couplings	Flow rate (l/min at 6 bar ΔP)	Flow rate (l/min at 6 bar &#916;P : 0,6bar)
<b>PTE BS</b>	British profile 6 mm	BRP 06	25	2 x BSI 06 1 x BSI 06 (non lubricated outlet)	0,6bar) = 750	833
<b>PTE ES</b>	European 7.4 mm	ERP 07	25	2 x ESI 07 1 x ESI 07 (non lubricated outlet)	0,6bar) = 1820	833
<b>PTE IS</b>	ISO 6150 B	IRP 06	25	2 x ISI 06 1 x ISI 06 (non lubricated outlet)	0,6bar) = 2028	2120
<b>PTE IS8</b>	ISO 6150 B	IRP 08	25	2 x ISI 08 1 x ISI 08 (non lubricated outlet)		
<b>PTE CM6</b>	ISO 6150 C	CRP 06	25	2 x CSM 06 1 x CSM 06 (non lubricated outlet)		
<b>PTE CM8</b>	ISO 6150 C	CRP 08	25	2 x CSM 08 1 x CSM 08 (non lubricated outlet)		



### Dimensions

Reference	A mm	B mm
<b>PTE BS</b>	303	417
<b>PTE ES</b>	303	417
<b>PTE IS</b>	11.929	16.417
<b>PTE IS8</b>	303	417
<b>PTE CM6</b>	303	417
<b>PTE CM8</b>	303	417