

Filter-Regulator-Lubricator ALTO 3 and wall bracket for non-lubricated outlet on gantry



Profile

European 7.4 mm

Inlet 1 adaptor

ERP 07

Filtration (µm)

25

Outlet 3 couplings

2 x ESI 07 1 x ESI 07 (non lubricated outlet)

Flow rate (l/min at 6 bar ΔP)

0,6bar) = 1820

Temperature

+5°C to +50 °C

Construction

Body : Aluminium
Polycarbonate bowl with metallic protection

Highlight

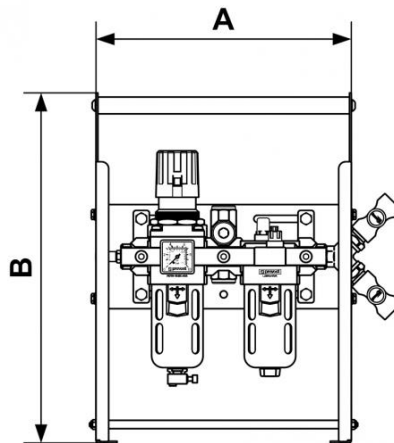
Easy to transport

Equipped with

Coupler and adaptor

Description

Reference	Profile	Inlet 1 adaptor	Filtration (µm)	Outlet 3 couplings	Flow rate (l/min at 6 bar ΔP)	Flow rate (l/min at 6 bar ΔP : 0,6bar)
PTE BS	British profile 6 mm	BRP 06	25	2 x BSI 06 1 x BSI 06 (non lubricated outlet)	0,6bar) = 750	833
PTE ES	European 7.4 mm	ERP 07	25	2 x ESI 07 1 x ESI 07 (non lubricated outlet)	0,6bar) = 1820	833
PTE IS	ISO 6150 B	IRP 06	25	2 x ISI 06 1 x ISI 06 (non lubricated outlet)	0,6bar) = 2028	2120
PTE IS8	ISO 6150 B	IRP 08	25	2 x ISI 08 1 x ISI 08 (non lubricated outlet)		
PTE CM6	ISO 6150 C	CRP 06	25	2 x CSM 06 1 x CSM 06 (non lubricated outlet)		
PTE CM8	ISO 6150 C	CRP 08	25	2 x CSM 08 1 x CSM 08 (non lubricated outlet)		



Dimensions

Reference	A mm	B mm
PTE BS	303	417
PTE ES	303	417
PTE IS	11.929	16.417
PTE IS8	303	417
PTE CM6	303	417
PTE CM8	303	417