

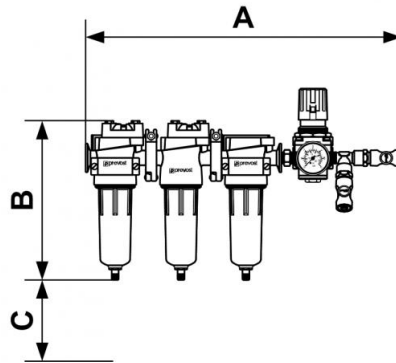
Combination Sub-micronic filters for paint spray guns



<p><u>Inlet BSPP female thread</u> G 3/8</p>	<p><u>Outlet 2 couplings</u> BSI 06</p>	<p><u>Flow rate (in m³/h at 7 bar)</u> 59</p>	<p><u>Operating pressure</u> 2 to 12 bar</p>
<p><u>Temperature</u> +1°C to +66°C</p>	<p><u>Construction</u> Aluminium body and bowl</p>	<p><u>Equipped with</u> Quick release safety couplings and adaptors prevoS1</p>	

Description			
Reference	Inlet BSPP female thread	Outlet 2 couplings	Flow rate (in m ³ /h at 7 bar)
MBCR 38BS	G 3/8	BSI 06	59
MBCR 38ES	G 3/8	ESI 07	59
MBCR 38IS	G 3/8	ISI 06	50
MBCR 38CS	G 3/8	CSI 06	50
MBCR 12BS	G 1/2	BSI 06	45
MBCR 12ES	G 1/2	ESI 07	85

Reference	Inlet BSPP female thread	Outlet 2 couplings	Flow rate (in m ³ /h at 7 bar)
MBCR 12IS	G 1/2	ISI 06	50
MBCR 12CS	G 1/2	CSI 06	50



Dimensions

Reference	A mm	B mm	C mm
MBCR 38BS	570	280	76
MBCR 38ES	570	280	76
MBCR 38IS	570	280	76
MBCR 38CS	570	280	76
MBCR 12BS	570	280	76
MBCR 12ES	570	280	76
MBCR 12IS	570	280	76
MBCR 12CS	570	280	76