

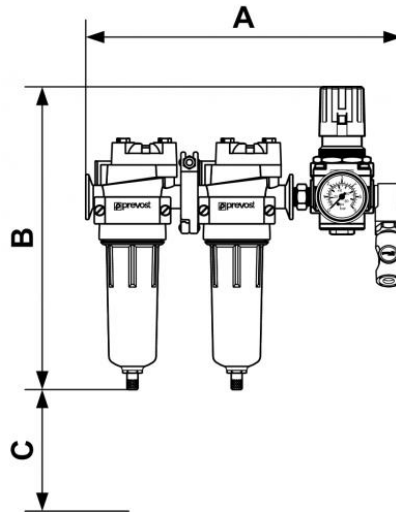
## Combination filter regulator for paint spray gun



<p><b><u>Inlet BSPP female thread</u></b></p> <p>G 3/8</p>	<p><b><u>Outlet 1 coupling</u></b></p> <p>BSI 06</p>	<p><b><u>Flow rate (in m<sup>3</sup>/h at 7 bar)</u></b></p> <p>50</p>	<p><b><u>Operating pressure</u></b></p> <p>2 to 12 bar</p>
<p><b><u>Temperature</u></b></p> <p>+1°C to +66°C</p>	<p><b><u>Construction</u></b></p> <p>Aluminium body and bowl</p>	<p><b><u>Equipped with</u></b></p> <p>Quick release safety couplings and adaptors prevoS1</p>	

Description			
Reference	Inlet BSPP female thread	Outlet 1 coupling	Flow rate (in m <sup>3</sup> /h at 7 bar)
<b>MBR 38BS</b>	G 3/8	BSI 06	50
<b>MBR 38ES</b>	G 3/8	ESI 07	59
<b>MBR 38IS</b>	G 3/8	ISI 06	50
<b>MBR 38CS</b>	G 3/8	CSI 06	50

Reference	Inlet BSPP female thread	Outlet 1 coupling	Flow rate (in m <sup>3</sup> /h at 7 bar)
<b>MBR 12BS</b>	G 1/2	BSI 06	45
<b>MBR 12ES</b>	G 1/2	ESI 07	85
<b>MBR 12IS</b>	G 1/2	ISI 06	50
<b>MBR 12CS</b>	G 1/2	CSI 06	50



### Dimensions

Reference	A mm	B mm	C mm
<b>MBR 38BS</b>	313	330	76
<b>MBR 38ES</b>	313	330	76
<b>MBR 38IS</b>	313	330	76
<b>MBR 38CS</b>	313	330	102
<b>MBR 12BS</b>	313	330	76
<b>MBR 12ES</b>	313	330	76
<b>MBR 12IS</b>	313	330	76
<b>MBR 12CS</b>	313	330	76