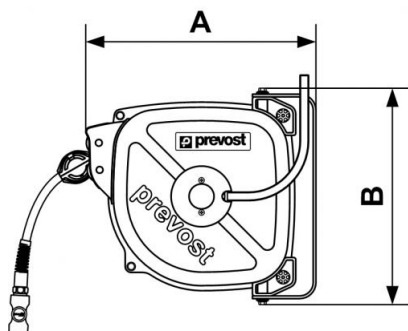


DRF/I series - 304 stainless steel - Polyurethane hose Ether base



ID/OD (mm) 10 x 14	Length (m) 12	Coupler ESI 07HE	Flow rate (l/min) 800
Fixed inlet (mm) 10 x 14	Weight (kg) 6.8	Technology Pipe locked with ratchet stop	Max operating pressure 12 bar
Construction AISI 304 stainless steel case	Connection 1 m of inlet supply hose	Equipped with Swivel bracket	

Description						
Reference	ID/OD (mm)	Length (m)	Coupler	Flow rate (l/min)	Fixed inlet (mm)	Weight (kg)
DRFI 1012ESHE	10 x 14	12	ESI 07HE	800	10 x 14	6.8



Dimensions

Reference	A mm	B mm
DRFI 1012ESHE	370	337