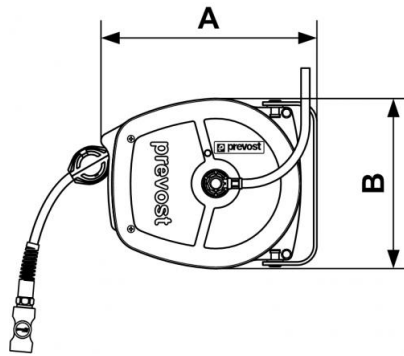


DSF/I series - 304 stainless steel - Polyurethane hose Ether base



ID/OD (mm) 8 x 12	Length (m) 5	Coupler ESI 07HE	Flow rate (l/min) 650
Swivel inlet (mm) 8 x 12	Weight (kg) 3	Technology Pipe locked with ratchet stop	Max operating pressure 12 bar
Construction AISI 304 stainless steel case	Connection 1 m of inlet supply hose	Equipped with Swivel bracket	

Description						
Reference	ID/OD (mm)	Length (m)	Coupler	Flow rate (l/min)	Swivel inlet (mm)	Weight (kg)
DSFI 0805ESHE	8 x 12	5	ESI 07HE	650	8 x 12	3



Dimensions

Reference	A mm	B mm
DSFI 0805ESHE	275	218