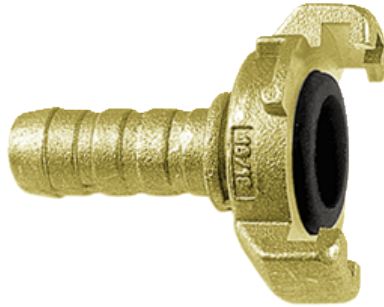


## Quick-release claw - Hose tail



For hose ID (mm)

7

Max operating

pressure

10 bar

Temperature

-5°C to +60°C

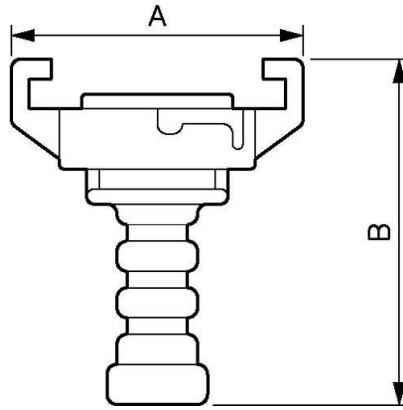
Construction

Brass body

### Description

Reference	For hose ID (mm)
EXP 7	7
EXP 8	8
EXP 9	9
EXP 10	10
EXP 11	11
EXP 13	13
EXP 16	16
EXP 19	19

Reference	For hose ID (mm)
<b>EXP 22</b>	22
<b>EXP 25</b>	25



### Dimensions

Reference	A mm	B mm
<b>EXP 7</b>	57	69
<b>EXP 8</b>	57	69
<b>EXP 9</b>	57	69
<b>EXP 10</b>	57	69
<b>EXP 11</b>	57	69
<b>EXP 13</b>	57	69
<b>EXP 16</b>	57	69
<b>EXP 19</b>	57	69
<b>EXP 22</b>	57	69
<b>EXP 25</b>	57	69